

# KXNP33 TRIMLINE AIR-TO-AIR PANEL-MOUNTED HEAT EXCHANGERS

## TECHNICAL DATA\*

Model	Volts	Power		Maximum Temperature °F		Performance Watts/°F (Air In)	Approx. Weight (lbs.)
		Amps	Watts	Enclosure	Ambient		
KXNP33	115	2.60	227	160	-20 to 131	33	56
K2XNP33	230	1.90	227	160	-20 to 125	33	56



**NEMA  
TYPE 12  
MAINTAINED**

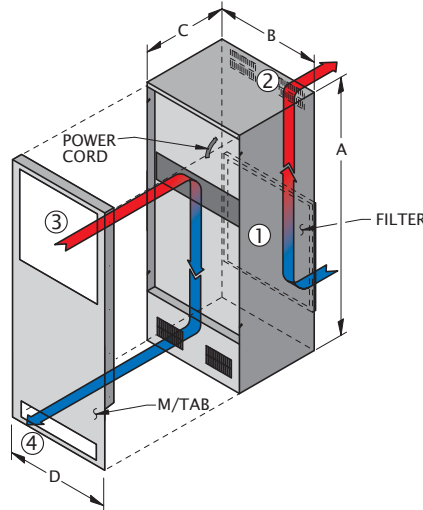
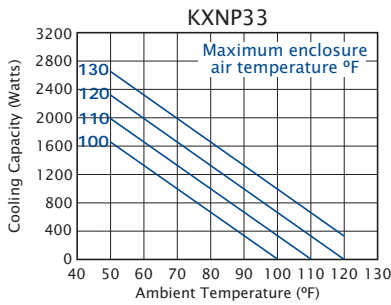
## STANDARD FEATURES

- Closed-Loop Near-Ambient Cooling
- Convuluted Aluminum Element
- Filter
- Heavy-duty Steel Shell
- NEMA 12 Rating Maintained (UL50)
- Removable Element Access Panel
- UL/CUL Listed

## ACCESSORIES AND OPTIONS

- Epoxy-coated element
- Filter Recoating Adhesive
- Lifting Eyes
- Low Airflow Detector
- Other voltages and frequencies
- Replacement Filters
- Special materials or finishes
- Special motors, line cords or connectors
- Stainless or Aluminum Shell
- Temperature Alarm
- Weather Protection Kit

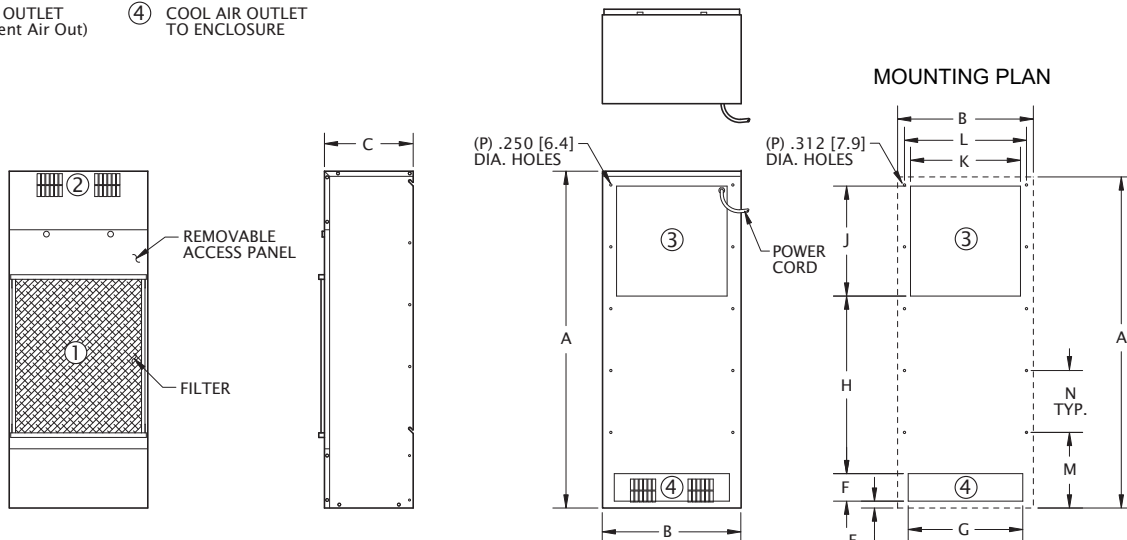
## PERFORMANCE\*



- ① FILTERED CONDENSER AIR INLET (Ambient Air In)
- ② CONDENSER OUTLET (Warm Ambient Air Out)
- ③ WARM AIR RETURN FROM ENCLOSURE
- ④ COOL AIR OUTLET TO ENCLOSURE

## DIMENSIONS

KXNP33		
A	32.88	[835.2]
B	12.50	[317.5]
C	9.75	[247.7]
D	12.19	[309.6]
E	0.38	[9.7]
F	2.75	[69.9]
G	9.13	[231.9]
H	19.63	[498.6]
J	9.00	[228.6]
K	10.50	[266.7]
L	11.19	[284.2]
M	7.38	[187.5]
N	8.00	[203.2]
P	8	



Dimensions, inches [mm], are for reference only and subject to change.

\* 60 Hz. operation. For 50 Hz. operation, consult Kooltronic.